

WM343-CS350-Q370

WM343-CS350-C246

8th/9th Gen Intel® Core™
Desktop Box IPC



KEY FEATURES



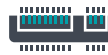
Upgraded CPU

Powered by 8th/9th Gen Intel® Core™



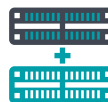
Triple Independent Display

HDMI + DVI-D + DP++



4 Expansion Slots

3.5"/2.5" SATA + 5.25" optical drive bay



Multiple Expansion

Support 2 PCIe x16, 2 PCIe x4, 1 M.2 M key, 1 M.2 E key



15 Years Long Term Support

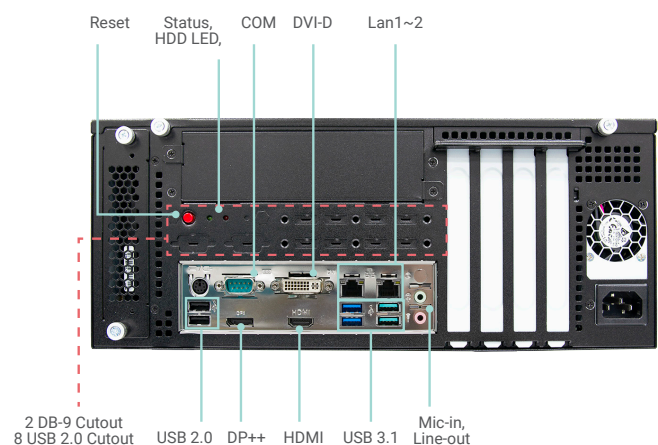
15-Year CPU Life Cycle Support Until Q3' 33



PANEL

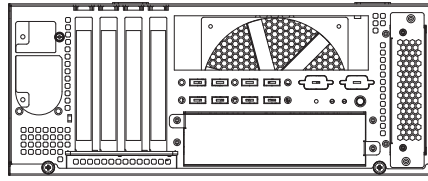


Front View

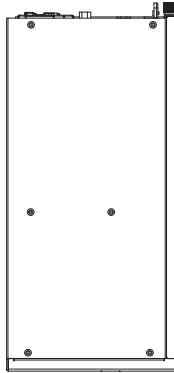


Rear View

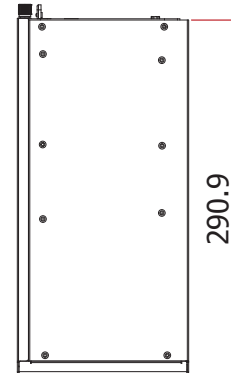
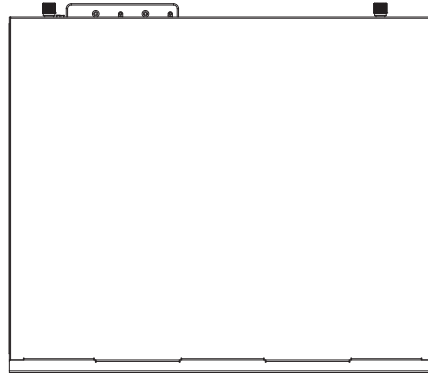
DIMENSIONS



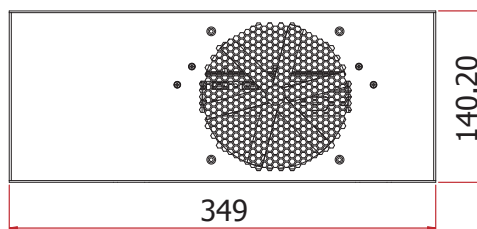
Rear View



Left View

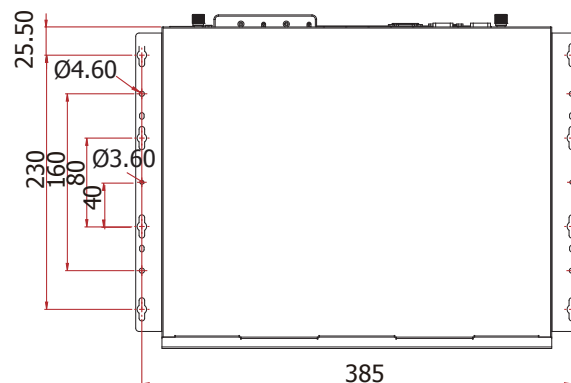
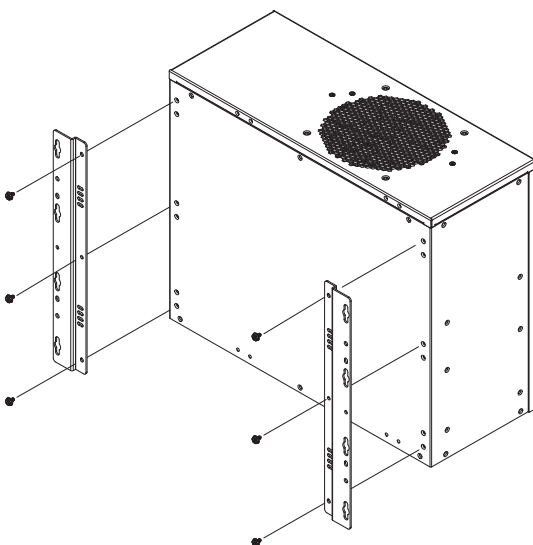


Right View



Front View

WALL MOUNTING



SPECIFICATION

| Model Name | | WM343-CS350-Q370 | WM343-CS350-C246 |
|------------|-----------------|---|--|
| SYSTEM | Processor | 8th Generation Intel® Core™ /Pentium®/Celeron® LGA 1151 Socket Processors: Intel® Xeon® E-2176G (6 Cores, 12M Cache, up to 4.7 GHz); 80W (C246 only) Intel® Xeon® E-2124G (4 Cores, 8M Cache, up to 4.5 GHz); 71W (C246 only) Intel® Core™ i7-8700K (6 Cores, 12M Cache, up to 4.7 GHz); 95W Intel® Core™ i7-8700 (6 Cores, 12M Cache, up to 4.6 GHz); 65W Intel® Core™ i7-8700T (6 Cores, 12M Cache, up to 4.0 GHz); 35W Intel® Core™ i5-8500 (6 Cores, 9M Cache, up to 4.1 GHz); 65W Intel® Core™ i5-8500T (6 Cores, 9M Cache, up to 3.5 GHz); 35W Intel® Core™ i3-8100 (4 Cores, 6M Cache, 3.6 GHz); 65W Intel® Core™ i3-8100T (4 Cores, 6M Cache, to 3.1 GHz); 35W Intel® Pentium® G5400 (2 Cores, 4M Cache, 3.7 GHz); 58W Intel® Pentium® G5400T (2 Cores, 4M Cache, 3.1 GHz); 35W Intel® Celeron® G4900 (2 Cores, 2M Cache, 3.1 GHz); 54W Intel® Celeron® G4900T (2 Cores, 2M Cache, 2.9 GHz); 35W 9th Generation Intel® Core™ LGA 1151 Socket Processors: Intel® Xeon® E-2278GE (8 Cores, 16M Cache, up to 4.7 GHz); 80W (C246 only) Intel® Xeon® E-2278GEL (8 Cores, 16M Cache, up to 3.9 GHz); 35W (C246 only) Intel® Xeon® E-2226GE (6 Cores, 12M Cache, up to 4.6 GHz); 80W (C246 only) Intel® Core™ i9-9900K (8 Cores, 16M Cache, up to 5.0 GHz); 95W (Non-LTS) Intel® Core™ i7-9700TE (8 Cores, 12M Cache, up to 3.8 GHz); 35W Intel® Core™ i5-9500E (6 Cores, 9M Cache, up to 4.2 GHz); 65W Intel® Core™ i5-9500TE (6 Cores, 9M Cache, up to 3.6 GHz); 35W Intel® Core™ i3-9100E (4 Cores, 6M Cache, 3.7 GHz); 65W Intel® Core™ i3-9100TE (4 Cores, 6M Cache, to 3.2 GHz); 35W | |
| | Chipset | Intel® Q370 Chipset | Intel® C246 Chipset |
| | Memory | Four 288-pin DIMM up to 128GB Dual Channel DDR4 2400/2666 MHz | Two 288-pin DIMM up to 64GB Dual Channel DDR4 2400/2666 MHz |
| | BIOS | AMI SPI 128Mbit | AMI SPI 128Mbit |
| | GRAPHICS | Controller | Intel® HD Gen 9 Graphics |
| GRAPHICS | Feature | OpenGL 5.0, DirectX 12, OpenCL 2.1 HW Decode: AVC/H.264, MPEG2, VC1/WMV9, JPEG/MJPEG, HEVC/H265, VP8, VP9 HW Encode: MPEG2, AVC/H264, JPEG, HEVC/H265, VP8, VP9 | OpenGL 5.0, DirectX 12, OpenCL 2.1 HW Decode: AVC/H.264, MPEG2, VC1/WMV9, JPEG/MJPEG, HEVC/H265, VP8, VP9 HW Encode: MPEG2, AVC/H264, JPEG, HEVC/H265, VP8, VP9 |
| | Display | 1 x DP++ 1 x HDMI 1.4b 1 x DVI-I (DVI-D signal) DP++: resolution up to 4096x2106@60Hz HDMI 1.4b: resolution up to 4096x2160@24Hz DVI-I (DVI-D signal): resolution up to 1920x1200@60Hz | 1 x DP++ 1 x HDMI 1.4b 1 x DVI-I (DVI-D signal) DP++: resolution up to 4096x2106@60Hz HDMI 1.4b: resolution up to 4096x2160@24Hz DVI-I (DVI-D signal): resolution up to 1920x1200@60Hz |
| | Triple Displays | DVI-D & DP++ & HDMI 1.4b | DVI-D & DP++ & HDMI 1.4b |
| STORAGE | External | 1 or 2 x 3.5"/2.5" SATA 3.0 Drive Bays (1 x 3.5" SATA drive bay, by default) 1 x 5.25" Optical Drive Bay | 1 or 2 x 3.5"/2.5" SATA 3.0 Drive Bays (1 x 3.5" SATA drive bay, by default) 1 x 5.25" Optical Drive Bay |
| | Internal | 1 x M.2 2280 (PCIe x4/SATA) | 1 x M.2 2280 (PCIe x4/SATA) |
| | Interface | 2 x PCIe x16 (Gen 3) (1 x16 signals or 2 x8 signals) 2 x PCIe x4 (Gen 3) 1 x M.2 2230 E key (PCIe x1/USB2.0/intel CNVi support) 1 x M.2 2242/2260/2280 M key (PCIe Gen3 x 4 NVMe) | 2 x PCIe x16 (Gen 3) (1 x16 signals or 2 x8 signals) 2 x PCIe x4 (Gen 3) 1 x M.2 2230 E key (PCIe x1/USB2.0/intel CNVi support) 1 x M.2 2242/2260/2280 M key (PCIe Gen3 x 4 NVMe) |
| AUDIO | Audio Codec | Realtek ALC888 | Realtek ALC888 |
| | Interface | 1 x Line-out 1 x Mic-in 1 x Line-in (opt.) | 1 x Line-out 1 x Mic-in 1 x Line-in (opt.) |
| ETHERNET | Controller | 1 x Intel® i219LM PCIe (10/100/1000Mbps) with iAMT 12.0 (Only Xeon, Core i7/i5 support iAMT) 1 x Intel® i211AT PCIe (10/100/1000Mbps) | 1 x Intel® i219LM PCIe (10/100/1000Mbps) with iAMT 12.0 (Only Xeon, Core i7/i5 support iAMT) 1 x Intel® i211AT PCIe (10/100/1000Mbps) |
| LED | Indicators | 1 x Power LED 1 x HDD LED | 1 x Power LED 1 x HDD LED |
| REAR I/O | Ethernet | 2 x GbE (RJ-45) | 2 x GbE (RJ-45) |
| | Serial | 1 x RS-232/422/485 (RS-232 w/ power) (DB-9) | 1 x RS-232/422/485 (RS-232 w/ power) (DB-9) |
| | USB | 2 x USB 3.1 Gen 2 2 x USB 3.1 Gen 1 2 x USB 2.0 | 2 x USB 3.1 Gen 2 2 x USB 3.1 Gen 1 2 x USB 2.0 |
| | Display | 1 x HDMI 1 x DVI-I (DVI-D signal) 1 x DP++ | 1 x HDMI 1 x DVI-I (DVI-D signal) 1 x DP++ |
| | Audio | 1 x Line-out 1 x Mic-in 1 x Line-in (opt.) | 1 x Line-out 1 x Mic-in 1 x Line-in (opt.) |

SPECIFICATION

| Model Name | | WM343-CS350-Q370 | WM343-CS350-C246 |
|------------------------------|------------------------|---|---|
| REAR I/O | PS/2 | 1 x PS/2 (mini-DIN-6) | 1 x PS/2 (mini-DIN-6) |
| | Buttons | 1 x Power button 1 x Reset button | 1 x Power button 1 x Reset button |
| | Cutout | 2 x DB-9 Cutout 8 x USB 2.0 Cutout | 2 x DB-9 Cutout 8 x USB 2.0 Cutout |
| WATCHDOG TIMER | Output & Interval | System Reset, Programmable via Software from 1 to 255 Seconds | System Reset, Programmable via Software from 1 to 255 Seconds |
| SECURITY | TPM | Infineon TPM1.2/2.0 (optional) | Infineon TPM1.2/2.0 (optional) |
| POWER | Supply | Flex ATX 150W/250W/350W/400W/500W (250W Default) | Flex ATX 150W/250W/350W/400W/500W (250W Default) |
| COOLING | Fan | 1 x 12cm system fan | 1 x 12cm system fan |
| OS SUPPORT | Microsoft | Windows 10 | Windows 10 |
| | Linux | Linux | Linux |
| ENVIRONMENT | Operating Temperature | 0 to 45°C | 0 to 45°C |
| | Storage Temperature | 0 to 60°C | 0 to 60°C |
| | Relative Humidity | 5 to 95% RH (non-condensing) | 5 to 95% RH (non-condensing) |
| MECHANICAL | Construction | Sheet Metal | Sheet Metal |
| | Mounting | Wall mount | Wall mount |
| | Dimensions (W x H x D) | 349 x 140.2 x 290.9mm (13.74" x 5.52" x 11.45") | 349 x 140.2 x 290.9mm (13.74" x 5.52" x 11.45") |
| | Weight | 7.7kg | 7.7kg |
| | Color | no coating or black coating | no coating or black coating |
| STANDARDS AND CERTIFICATIONS | Shock | Operating: 3G Non-operating: 5G | Operating: 3G Non-operating: 5G |
| | | Operating: Random 5~500Hz 0.5G Non-operating: Sine 10~500Hz 1.5G | Operating: Random 5~500Hz 0.5G Non-operating: Sine 10~500Hz 1.5G |
| | Package Drop | ISTA Project 1A | ISTA Project 1A |
| | Certification | CE, FCC Class A, RoHS | CE, FCC Class A, RoHS |

ORDERING INFORMATION

| Model Name | Part Number | Description |
|-------------|-----------------|---|
| WM343-CS350 | 750-WM3438-000G | WM343-CS, uATX System, Black, CS350-C246, 250W, F/G SYSTEM RoHS |
| WM343-CS350 | 750-WM3438-100G | WM343-CS, uATX System, Black, CS350-Q370, 250W, F/G SYSTEM RoHS |

OPTIONAL ITEMS

| Optional Items | Part Number | Description |
|----------------|-----------------|---|
| Wall Mount | 761-WM3410-000G | ACCESSORY WALL MOUNT KITS WM34x Series RoHS |

PACKING LIST

| |
|--|
| • 1 WM343-CS350 System Unit |
| • 1 CPU cooler |
| • 1 SATA Data Cable (Length: 650mm) |
| • 4 HDD Screws |
| • 1 Quick Installation Guide |
| • 1 PSU Flex ATX 150W/250W/350W/400W/500W (250W Default) |
| • 1 System Fan |